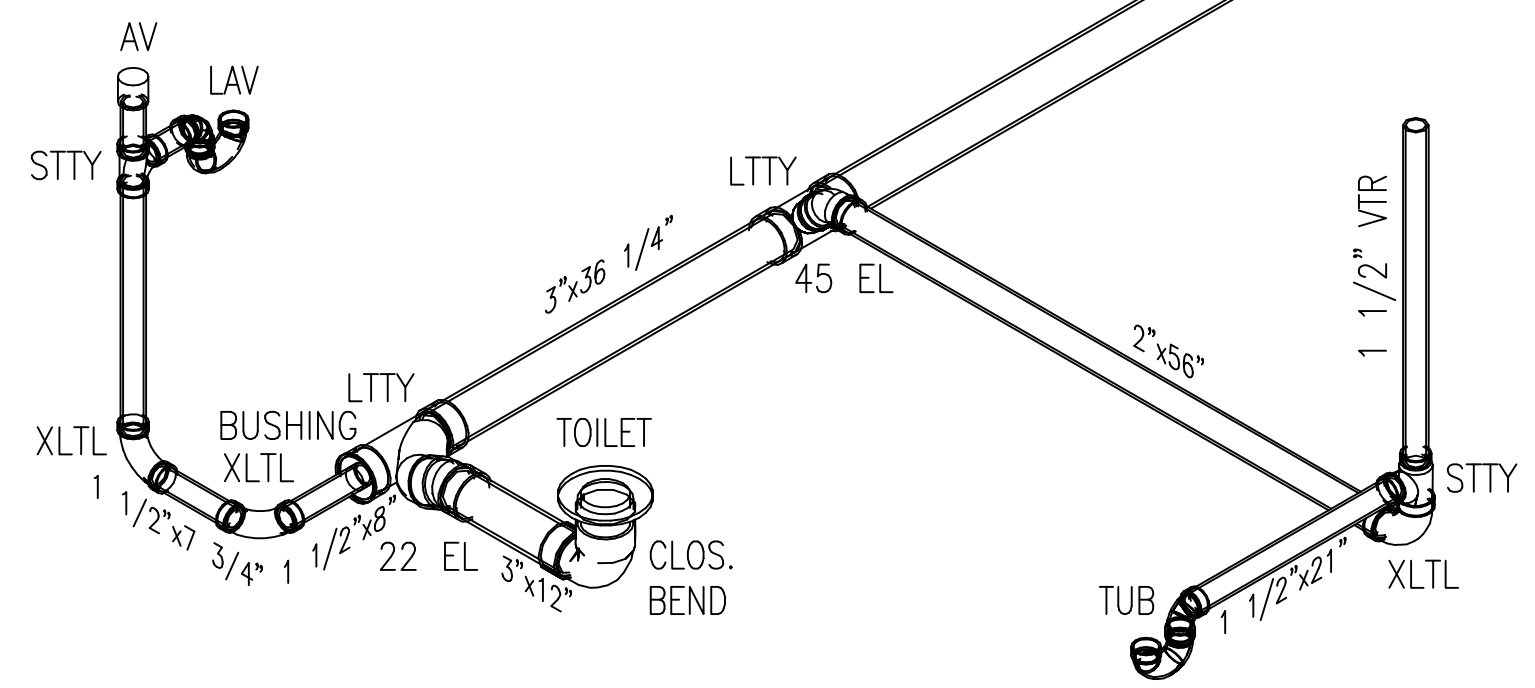


OPTIONAL WASHER



PIPE LENGTHS MAY VARY
NO SHIP LOOSE REQUIRED

Legacy Housing

DATE:	02/17/2016	MODEL:	CC - 01272021 1238-11FLA	TITLE:	(NEW CABINETS)	DWG #:	
SCALE:	NTS	DRAWN BY:	JMS	REF #	DESCRIPTION	DATE	REVISED BY:
				1	CHANGED DWV TO 3D MODEL TO REPLACE THE SCHEMATIC.	03.15.2022	DAN