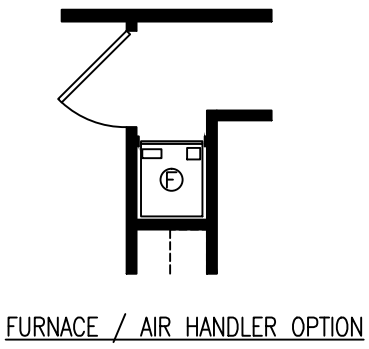
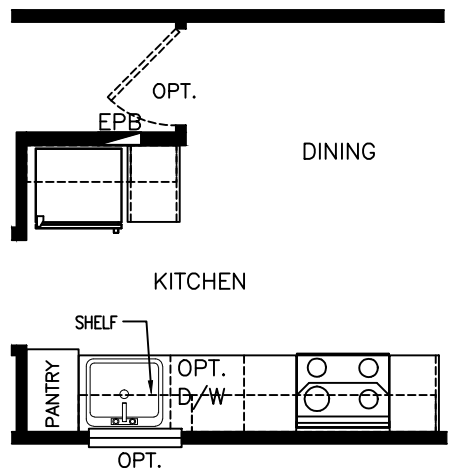


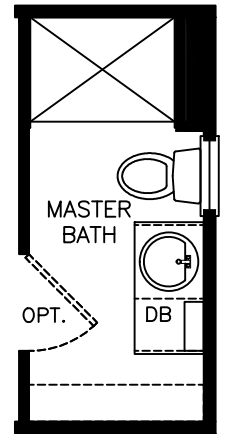
OPTIONAL



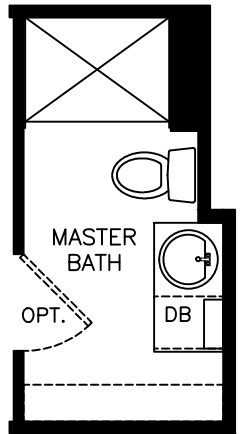
FURNACE / AIR HANDLER OPTION



OPT. DISHWASHER CONFIGURATION



OPT. MASTER BATH SHOWER CONFIGURATION



1272-32A (SELECT ONLY)
 BOX SIZE= 11'-7 1/2" x 68'-0"
 3 BEDROOMS / 2 BATH (795 SQ. FT.)

Legacy Housing

DATE: 08/01/2016	MODEL: 1272-32A	TITLE: SALES LITERATURE	(OPT. MINI SPLITS)		DWG #:
SCALE: NTS	DRAWN BY: JMS	REF #	DESCRIPTION	DATE	REVISED BY: